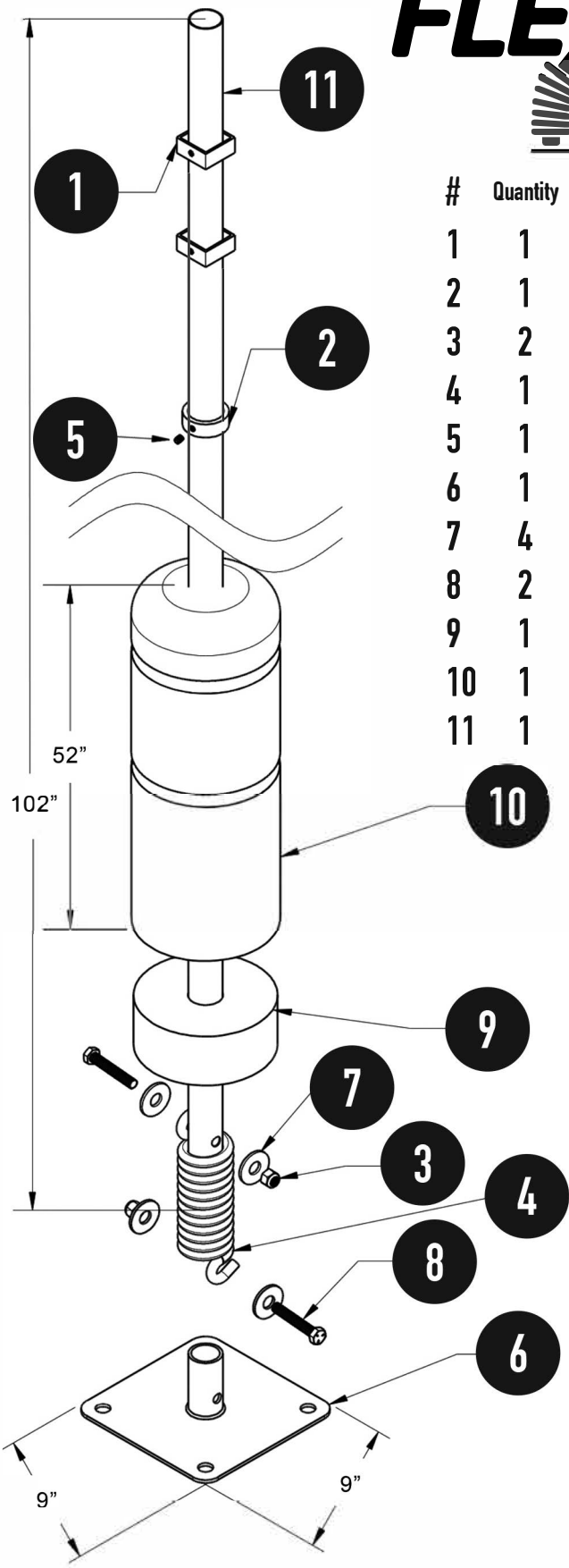


FLEX POST[®]

ASSEMBLY GUIDE & PARTS LIST



| # | Quantity | Part Number | Dimensions & Description |
|----|----------|-------------|---|
| 1 | 1 | RE-SB | Double Sided Sign Bracket Kit |
| 2 | 1 | RE-CK225 | 2.25" Round Collar Ring |
| 3 | 2 | 37030 | 1/2"-13 Lock Nut - Zinc |
| 4 | 1 | RE-SK | Patented Torsion Spring |
| 5 | 1 | 73278 | 5/16"-18 x 3/8" Set Screw |
| 6 | 1 | RE-BP | 9"x9" Square Base Plate |
| 7 | 4 | 33012 | 1/2" x 1.375" Flat Washer - Zinc |
| 8 | 2 | 13824 | 1/2"-13 x 3" Tap Bolt - Zinc |
| 9 | 1 | RE-FR-7 | 7" Foam Spacer Ring |
| 10 | 1 | RE-BC52 | 52" x 7" Bollard Cover |
| 11 | 1 | RE-8P | 1 5/8" x 8' Galv. Steel Post - .055 (6' Pole Available Upon Request) |



ANCHORING

CHOICE OF:

- CONCRETE
- ASPHALT
- ADHESIVE

REFER TO THE NEXT PAGE FOR ANCHORING INSTRUCTIONS

FlexPost[®]

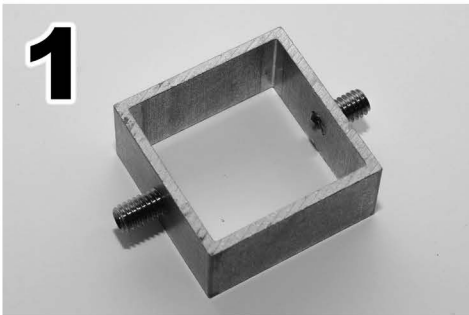
52" FlexBollard™ with 8' Post

Tools Required:

- 1/2" Wrench or Socket
- 5/32" Allen Wrench (Provided)

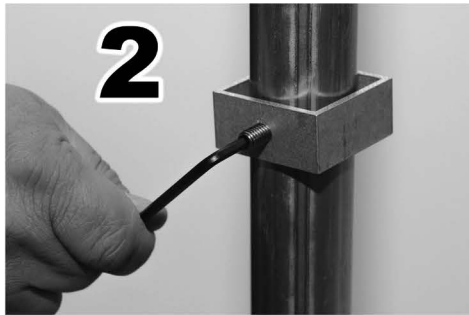
Parts Included:

- 2 Mounting Brackets
- 4 Flange Nuts
- 4 Set Screws
- 5/32" Allen Wrench



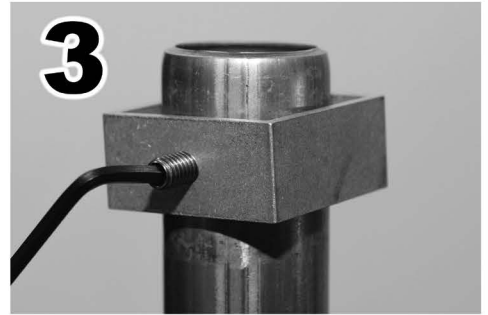
1

- *Insert set screws into holes on the mounting bracket*
- *Slide both brackets onto the post*



2

- *Position the bottom mounting bracket loosely, you will move it soon*



3

- *Position the top bracket in desired location*
- *Tighten to post by turning set screws clockwise*



4

- *Using your sign as reference, move the bottom mounting bracket into place and tighten the set screws, securing the brackets to the pole*



5

- *Use a 1/2" wrench or socket to tighten flange nuts to hold sign in place*



6

- *You can even mount two signs back to back!*